



Primrose Awnings Standard Manual Installation Instructions

Contents

2m, 2.5m Awnings

- 4 x Expansion bolts (2 per bracket)**
- 2 x Wall brackets□
- 1 x Awning
- 1 x Winder handle
- 1 x Template sticker

3m, 3.5m, 4m Awnings□

- 6 x Expansion bolts (2 per bracket)**
- 3 x Wall brackets□
- 1 x Awning
- 1 x Winder handle
- 1 x Template sticker

4.5m Awnings

- 8 x Expansion bolts (2 per bracket)**
- 4 x Wall brackets□
- 1 x Awning
- 1 x Winder handle
- 1 x Template sticker

Tools required□

- Hammer drill□
- 14mm masonry drill bit□
- Chalk or pencil to mark□
- Laser level or long spirit level □
- Metric socket spanner set
- Adjustable spanner

WARNING

Two people will be required to lift the awning into place.

Please ensure you consult a qualified electrician before installing the electrical parts of electrical awnings.

The awning and frame may be supplied with a plastic wrapper. This should be removed prior to use.

Plastic bags can be dangerous to children and babies. Keep out of the reach of babies and children to avoid the risk of suffocation.

**The expansion bolts supplied are for reinforced concrete or brick walls

The awnings may be installed on wooden walls if the wall is sufficiently strong. Use appropriate screw-threaded or coach bolts.

STEP 1: Determine position on the wall and mark up

Height of awning

The recommended height from the ground is 2.5m-3.5m. If you want to install lower than this, determine whether there is sufficient headroom when the awning is fully extended and that any doors can open.

Required headroom

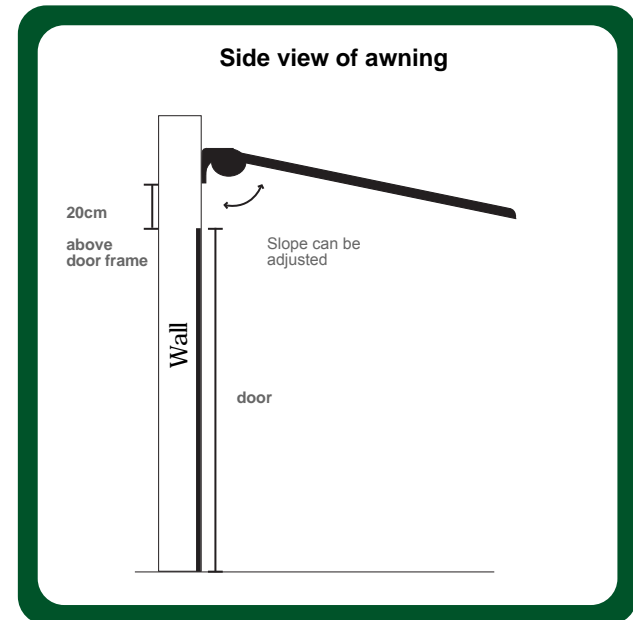
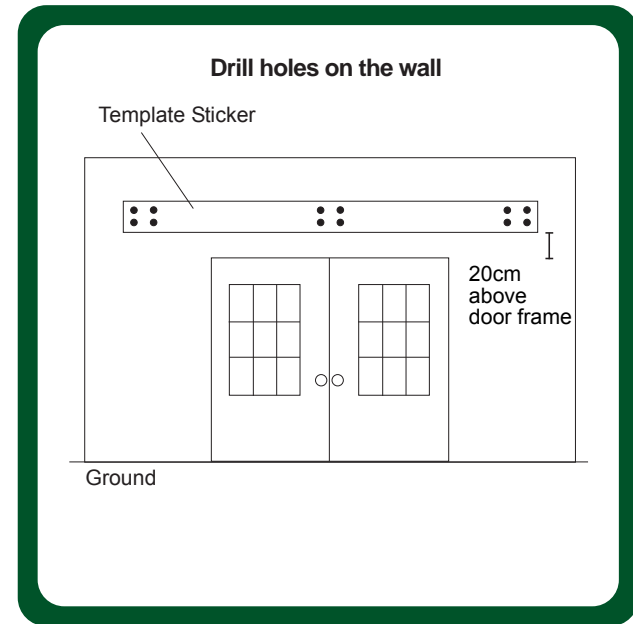
- Allow 20cm above any door frame and check that when opened the door will not interfere with the awning.
- As a guideline, the awning has a drop of 30 cm (2m projection) to 45cm (2.5m projection) at a slope of 10 degrees below the horizontal.

The recommended slope is factory pre-set. This can be adjusted with a spanner any time after fitting: from almost horizontal to approx 30 degrees below the horizontal.

Horizontal positioning of brackets:

Using laser, spirit level or other method, mark an accurate horizontal line at the required height. Fixing must be directly into brick or concrete. Mortar joints between the bricks or blocks will not be secure enough to bolt into.

A range of positions from left-to-right of the brackets are possible with the standard manual awnings. Brackets should be as close to the end of the awning as possible yet not so close as to interfere with the opening of the arms. Check brackets against the unit before deciding the position on wall.



STEP 2: Drill holes

Use a hammer-action electric drill with a 14 mm bit.
Drill 100mm holes into brick or concrete wall in exact position chosen for wall brackets.
Insert an expansion bolt into the drilled hole.

STEP 3: Attach the brackets

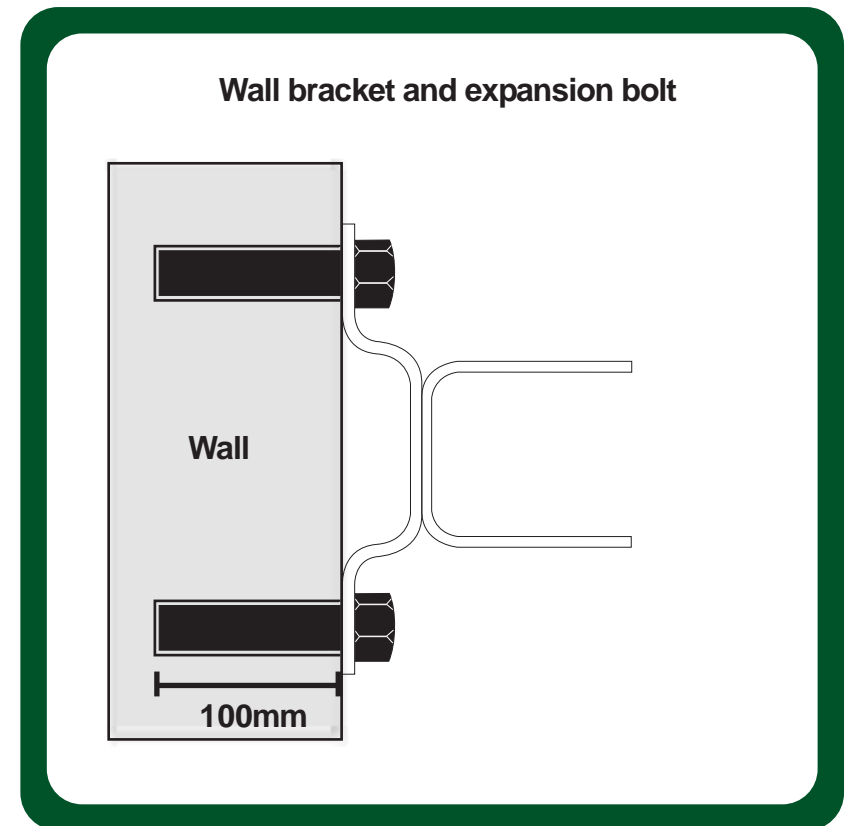
Remove the nut and one of the washers from the expansion bolts that are now on the walls.

Fit bracket into place over wall bolt. Replace the washer and nut and tighten with a socket spanner. Ensure the bracket is tight against wall before fitting the awning as the weight of the awning could pull the brackets out of the wall.

STEP 4: Fitting the awning

Because the awning is heavy, you will need 2 step ladders and two people.
Lift the awning unit into place on the wall brackets.

Fix the retaining bolts through the wall brackets to secure the awning unit in place.
Fit the nut onto the bolt and tighten.
Check that both the wall bracket and the retaining bolts are tightened securely.



STEP 5: Ensure the awning is level when fully extended.

The built-in spirit level in the front bar will show you if the front bar is level. The air bubble should be precisely in the centre. If the awning is not level when fully extended, adjust the slope of one arm - see Adjusting the Slope (below).

Although level when fully extended, the awning may not be perfectly level when fully retracted – this is normal.

STEP 6: Adjusting the slope (if required)

The optimum slope angle (approx 10 degrees from the horizontal) is pre-set at the factory.

1. Make sure the wrist rings are installed onto the shaft using the pins provided. Use the winder to turn the wrist ring as shown in the figure to adjust the angle.
2. The angles of the left and right arm must be the same otherwise damage could result if the front bar isn't horizontal. Check the built-in spirit level in the middle on the front bar of the awning.

STEP 7: Can I control how far out the awning opens?

With the manual awnings, you can control the position of the awning by simply winding out as far you want to go. The awning will hold at whichever position you wind to.

General Care & Precautions

The awnings are constructed from weather resistant powder-coated metal and hard-wearing polyester fabric, and are designed to give many years of service. Stains and bird droppings etc. can easily be washed or sponged away, and should not be left for prolonged periods. The awning should always be retracted in severe weather conditions.

Guarantee

This awning is guaranteed against faulty parts and workmanship for one year from the date of delivery. Faulty parts will be replaced or exchanged within that period. The guarantee covers domestic use only.

